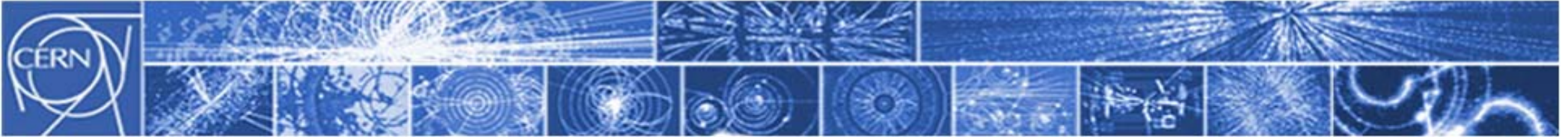


Status of Phase II design at CERN

**108th Meeting of
Collimation Study Group**

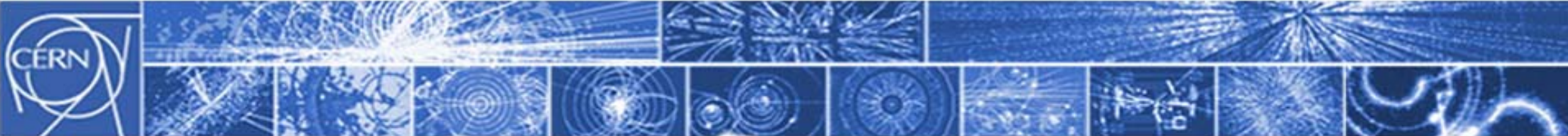
**A. Bertarelli, A. Dallocchio for the EN-MME Phase II
Design Team**

09.11.2009

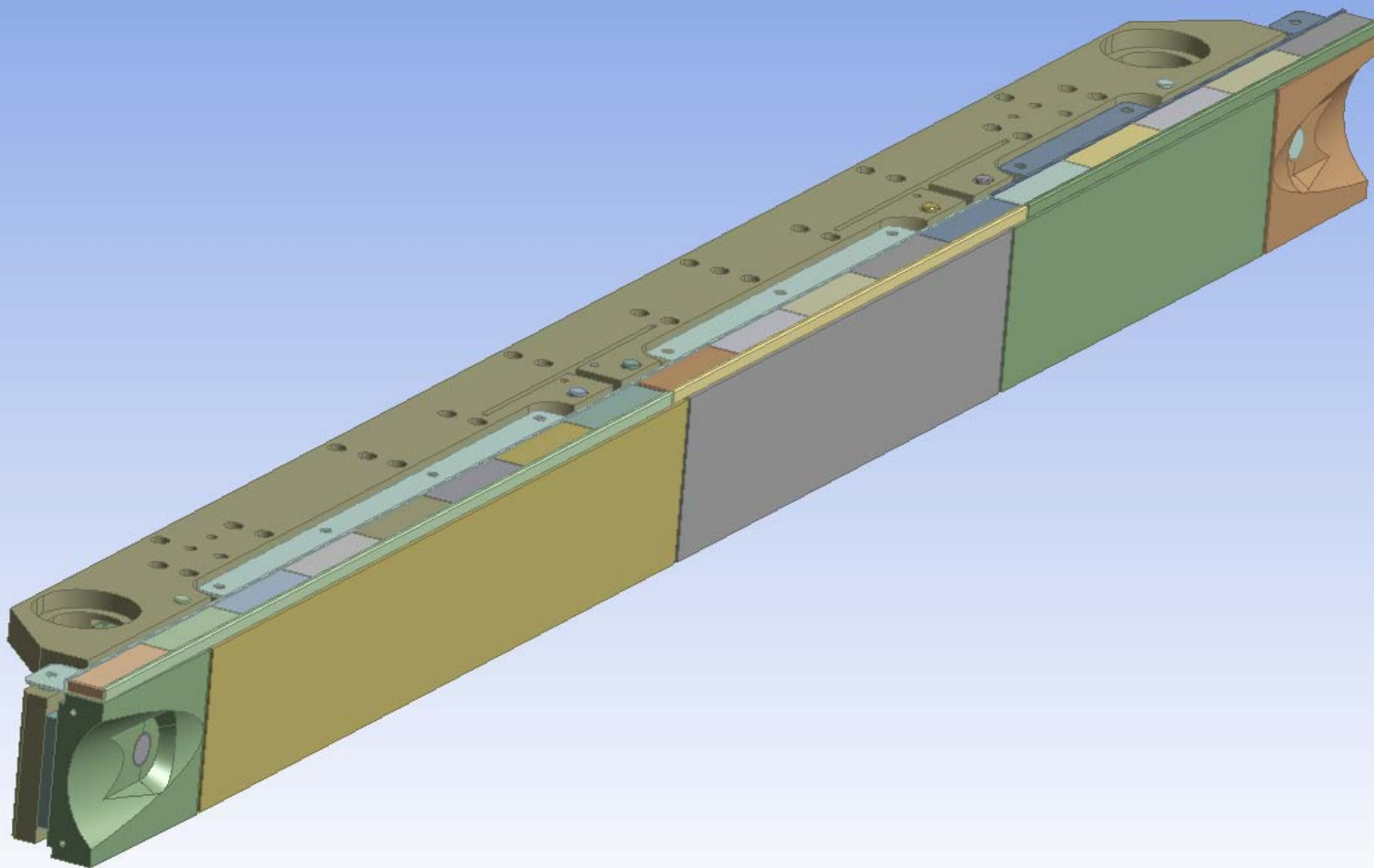


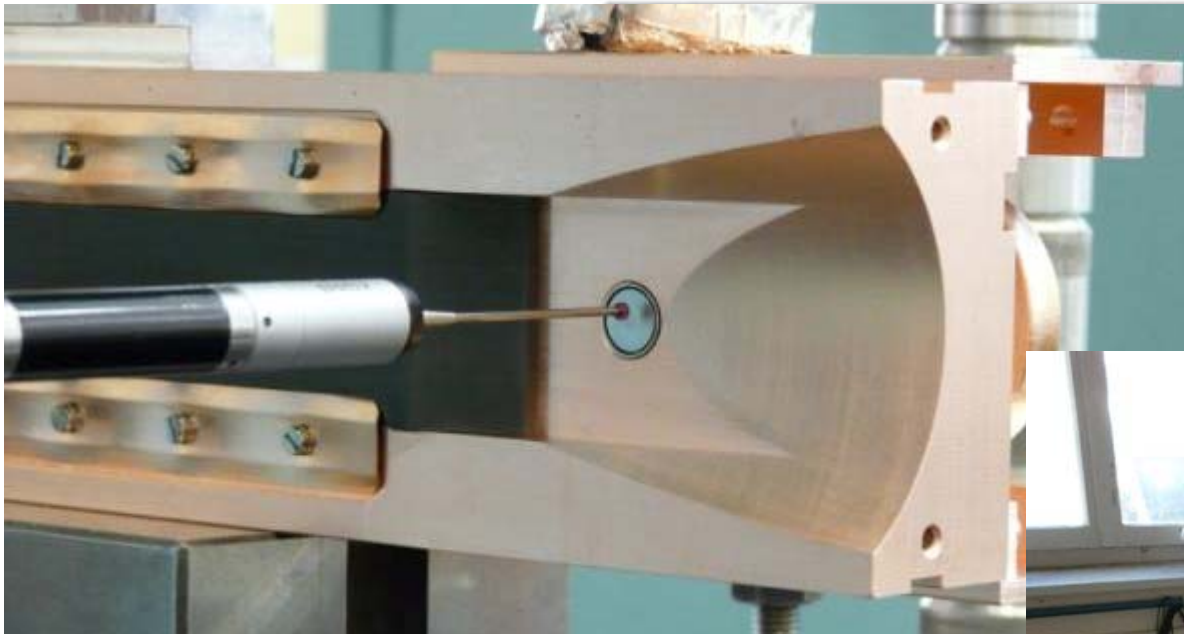
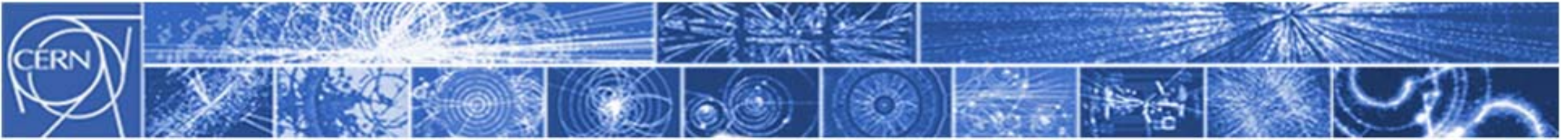
News:

- BPM demonstrator being controlled in metrology lab before final tank welding. Available in Dec.'09.
- Manufacturing of full phase II prototype under way:
 - Jaw components ready for brazing
 - Tank manufacturing under cost estimate
 - 2 Ø 16 sliding table under endurance
 - Ø20 sliding table ongoing design
- Thermal-mechanical FEM calculations ongoing based on new Fluka results.
- EuCARD: meeting with PoliTo this week (focused on hydrodynamic simulations)
- New collaborative site available (<https://espace.cern.ch/Collimators/default.aspx>)
- Design meeting update to be resumed soon.



 **ANSYS**
Noncommercial use only





09.11.2009

A. Bertare